

SINGLE SKIN TAPERED BOX

Standard (*1) : Supplied with a flange, a standard liner adapter, with fixing tabs, no base & no legs

Options in any combination:

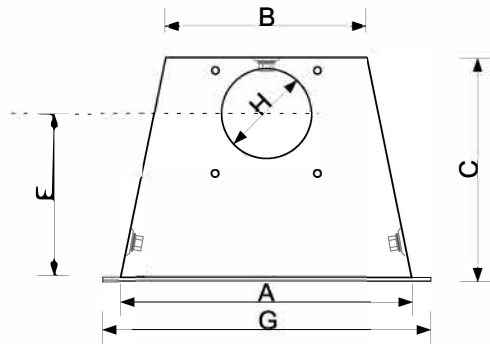
With Single Skin Base (*2 & *4)

With 140mm Adjustable Legs

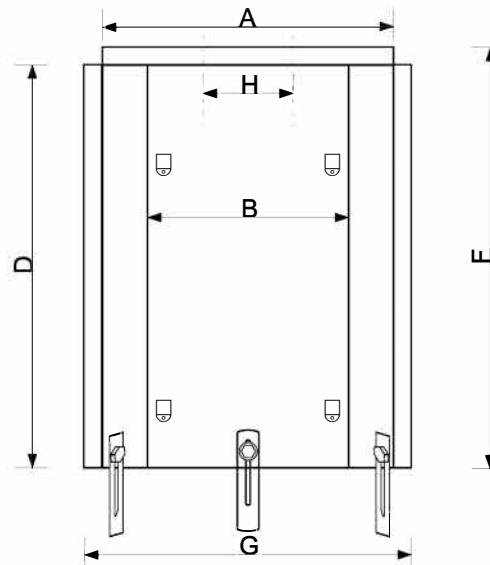
(Legs have 90mm of adjustment (*3 & *4))



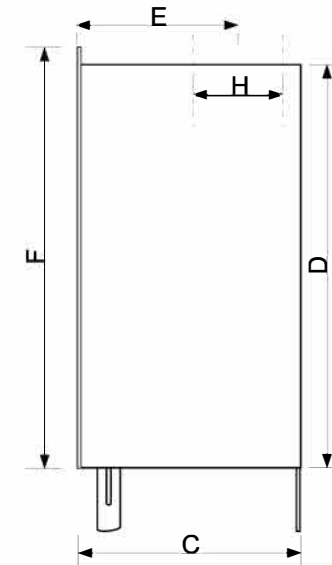
Plan Elevation



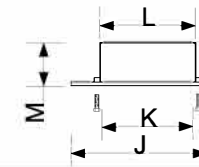
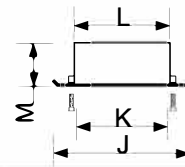
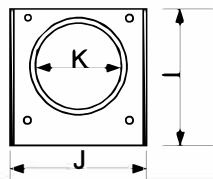
Front Elevation



Side Elevation



Standard Liner Adapter



A - Front Width	407mm	E - Depth to Spigot centre	225mm	I - Adapter Base Depth	190mm	M - Adapter Height	60mm	Drawing Copyright: Flueteck Ltd Unit 19 Drakes Industrial Estate Shay Lane, Halifax West Yorkshire HX3 6RL Tel:01422 351322 www.flueteck.co.uk	Description: Single Skin Fire Box. Designed to be fit into a standard back panel fireplace opening with outer flange to allow the box to be sealed in place. Our standard liner adapter allows insertion of a 125mm flexible flue liner which is then fixed in-place using self taping screws. Suitable for gas installations where a single skin box is allowed by the fire manufacturer Materials: 22SWG Galvanised steel	Drawing: E_FT_NB
B - Rear Width	280mm	F - Height with Flange	585mm	J - Adapter Base Width	185mm					Revision: 1
C - Depth	305mm	G - Width with Flange	455mm	K - Adapter Bottom Diameter	125mm					Drawing Date: 01/12/2010
D - Height	560mm	H - Spigot Diameter	125mm	L- Adapter Top Diameter	133mm					Drawn: PS