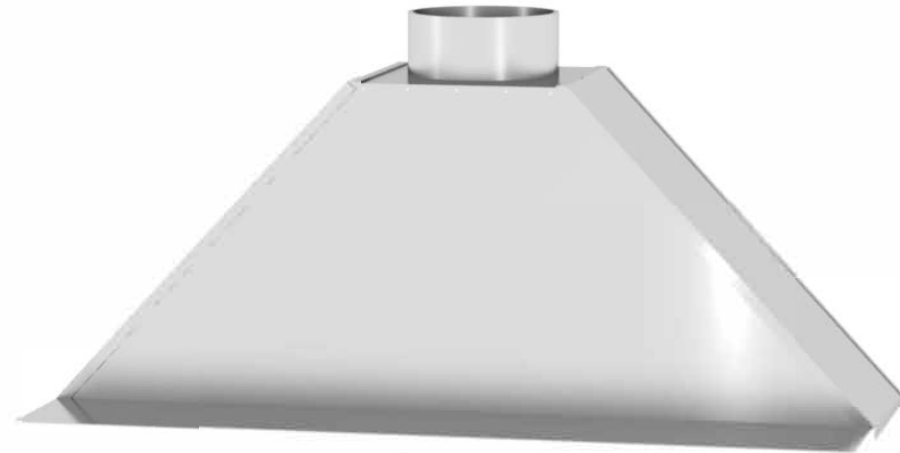
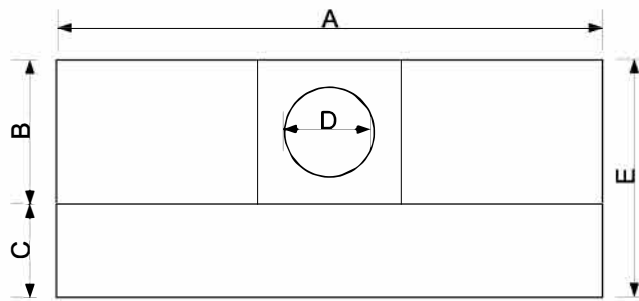


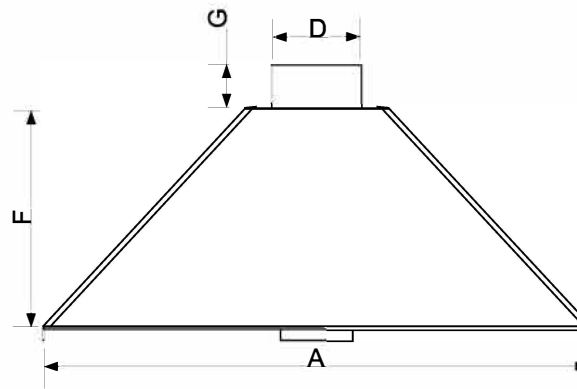
GALVANISED GATHER FOR GAS INSTALLATIONS
to suit 125mm (5"), 150mm (6") or 180mm (7")
single skin flue liners



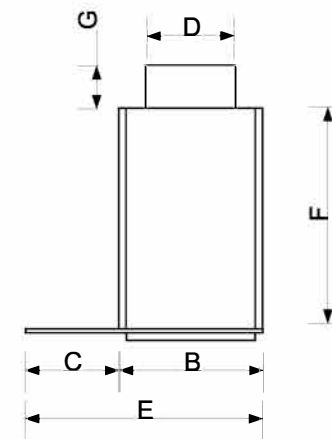
Plan Elevation



Front Elevation



Side Elevation



| | | | |
|-------------------|-----------------------|------------------------|-------|
| A - Base Length | 760mm | E - Overall Base Width | 300mm |
| B - Base Width | 200mm | F - Gather Height | 350mm |
| C - Lip Width | 100mm | G - Spigot Height | 125mm |
| D - Flue Diameter | 125mm, 150mm or 180mm | | |

Drawing Copyright:
Fluetechn Ltd
Unit 19
Drakes Industrial Estate
Shay Lane, Halifax
West Yorkshire
HX3 6RL
Tel:01422 351322
www.fluetechn.co.uk

Description:
Galvanised gather with fixed spigot to allow connection of a gas liner. The liner is inserted inside the spigot and then fixed in place using self tapping screws. The gather is supplied with a lip at either end and a tab at the rear to aid fixing over a chamber or back panel.
Please note: only 1 gather is supplied to your requested sizes.
Suitable for gas installations
Materials: 22SWG Galvanised Plate

| | |
|---------------|----------------|
| Drawing: | Gas_Gather_HIW |
| Revision: | 1 |
| Drawing Date: | 01/12/2010 |
| Drawn: | PS |