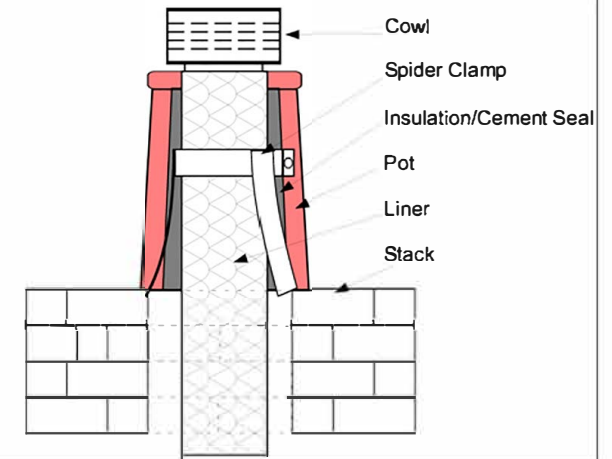
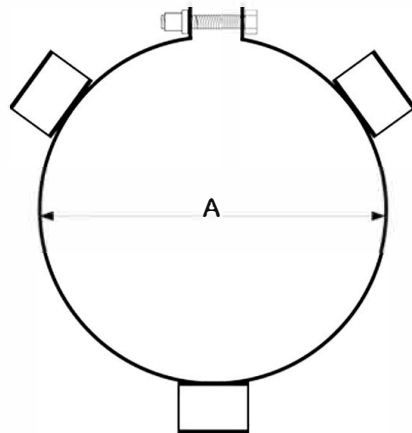


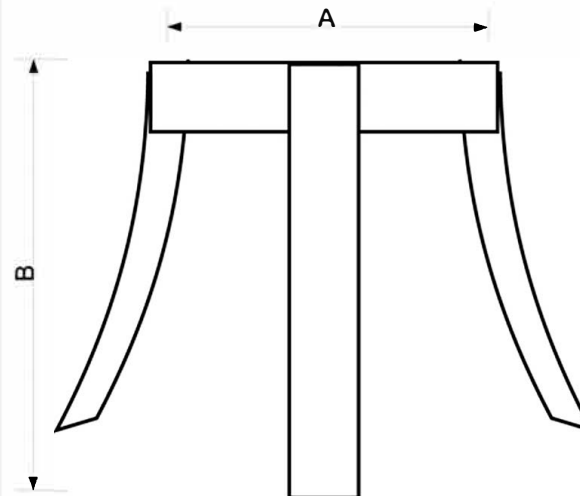
SPIDER CLAMP
to suit 125mm (5"), 150mm (6"), 180mm (7") or 200mm (8") flexible flue liners



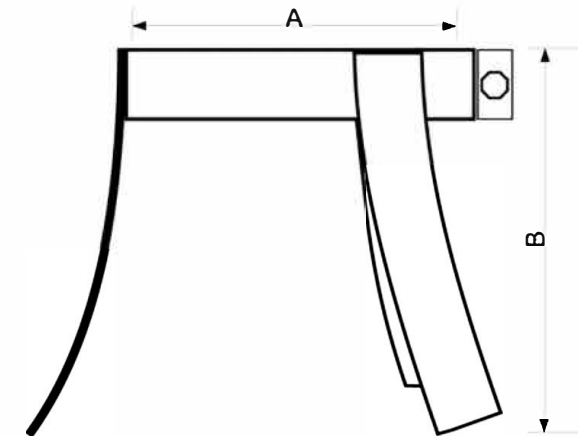
Plan Elevation



Front Elevation



Side Elevation



Spider
Clamp

A - To suit liner internal diameter 125mm (5") or 150mm (6") or 180mm (7") or 200mm (8")

B - Overall Height 240mm

Drawing Copyright:
Fluetechn Ltd
Unit 19
Drakes Industrial Estate
Shay Lane, Halifax
West Yorkshire
HX3 6RL
Tel: 01422 351322
www.fluetechn.co.uk

Description:
Our adjustable spider clamp is designed to sit inside the chimney pot directly on top of the stack brickwork and is secured around the liner to stop the liner from falling. The legs are spring loaded to aid gripping. The chimney pot should then be sealed over the clamp with insulation and cement.
Please Note: 1 clamp is supplied to your requested size.
Suitable for gas or solid fuel installations
Materials: 316 Stainless Steel

Drawing: SPID_CLAMP

Revision: 1

Drawing Date: 01/12/2010

Drawn: PS